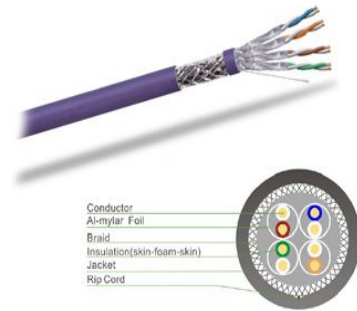




## SPECIFICATION SHEET

### UMACABLE HIGH QUALITY CAT6A S/FTP NETWORK CABLE

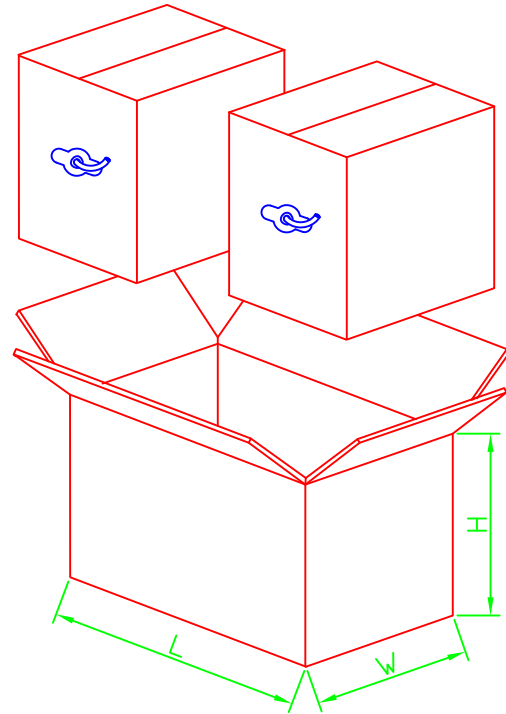
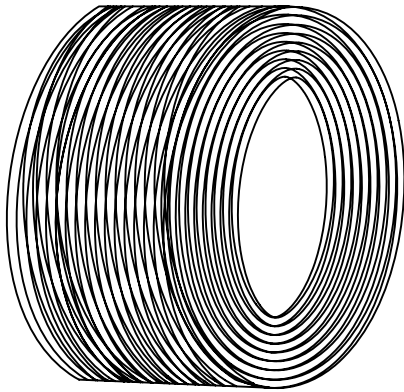
ITEM NO.: UMNW1203



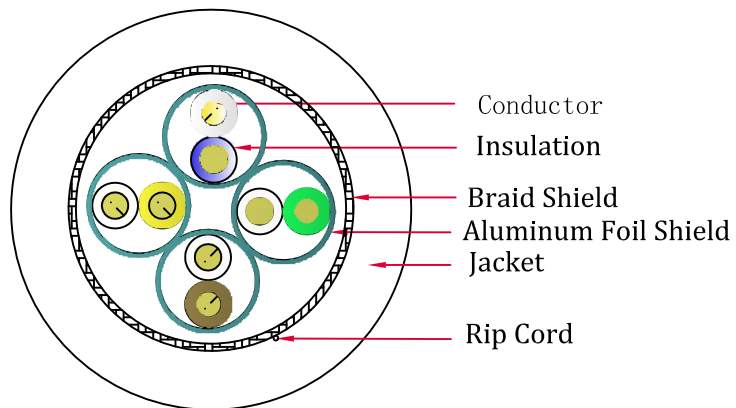
#### KEY FEATURES :

- High Quality CAT6A S/FTP (PIMF) Double Fully Shielded Network Cable
- Pair in Metal Foil (PIMF) shielded reduces ingress of EMI/RFI interference to ensure cable performance at high
- Meets ANSI/TIA-568-C.2 and ISO/IEC 11801 Specification
- Tested to 500 MHz and support 1000 Base-T Gigabit Ethernet
- Foot or Meter marked to show the amount of cable left in the box
- Lifetime Warranty

# UMACABLE HIGH QUALITY CAT6A S/FTP NETWORK CABLE



## Construction



# UMACABLE HIGH QUALITY CAT6A S/FTP NETWORK CABLE

## Electrical Characteristics:

Impedance:	100±15(Ohms) @ 1-100MHz 100±22(Ohms) @ 100-200MHz 100±32(Ohms) @ 200-500MHz
DC Resistance Unbalance (%) :	Max 2.5
DC Resistance 20°C:	8.4 (Ohms/100m)
Pair-to-Ground Capacitance Unbalance	330(pF/100M)
Insulation Resistance:	>5000 MΩ*Km

## Physical Characteristics:

Dielectric Strength:	DC 2500V 2S
Temperature Rating:	80°C
Operating Temperature Range:	-20°C - 80°C
Storage Temperature Range:	-25°C - 85°C
Approvals:	RoHS, CE, UL Compliant

## Conductors (4 pairs)

Conductor Type:	23AWG Solid Bare Copper
Insulation:	HDPE
Color:	White-Blue/Blue, White-Orange/Orange, White-Green/Green, White-Brown/Brown
Braid:	16/5/0.12 Aluminum Magnesium
Shield:	Aluminum Foil, 100% Coverage

## Overall

Jacket:	PVC, LSZH, LDPE, CMX, C
OD:	8.3±0.2mm

## Customized Parameters

Guage:	AWG 24, 23
Length:	100m, 305m
Color:	Customized
Packagte type:	Easy Pull Box